



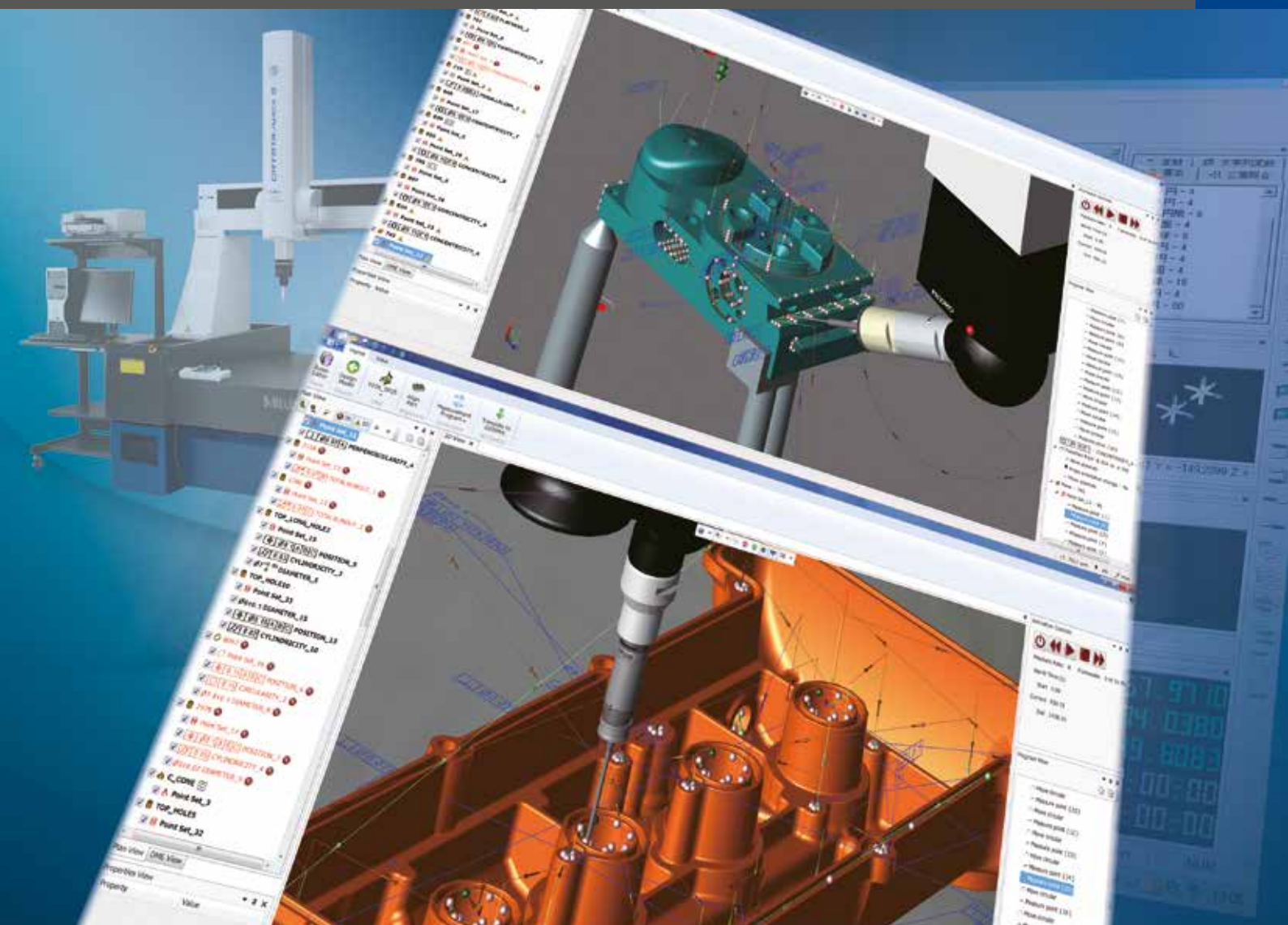
NEW PRODUCT

MiCAT Planner

AUTOMATIC MEASUREMENT PROGRAM GENERATION SOFTWARE

One-click programming that changes the relationship between people and precision measurement

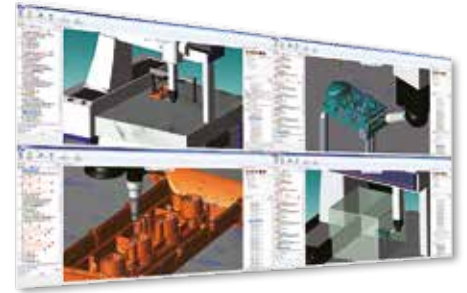
COORDINATE MEASURING
MACHINES



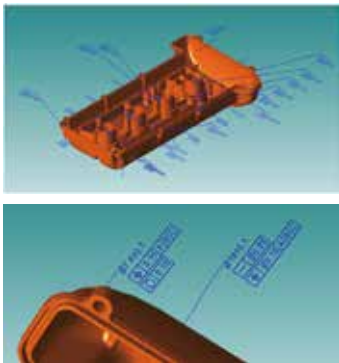
MiCAT Planner

- Uses software to identify tolerance information included in 3D models with Product and Manufacturing Information (PMI), defines the location for measurement, and creates a measurement program fully automatically.
- Through its optimisation function, the software estimates the shortest route for measurement with the minimum number of probe re-positionings and tool changes; and creates a program that enables measurement in the shortest time.
- Utilising the rule editor function to set the measurement rules prevents variation in measurement quality between program writers.
- Automation enables programming time to be reduced by up to 95%*, enabling a significant potential increase in the efficiency of measurement work.

* Compared with programming using general-purpose software.



CAD data with PMI (GD&T)



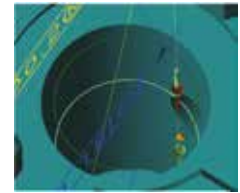
CMM system structural information



User-defined measurement rules, etc.
Number of locations to measure, sampling pattern, etc.

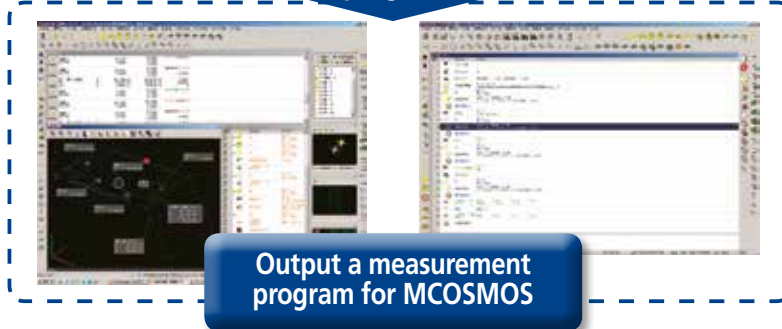


Example of sampling method: touch measurement



Example of sampling method: scanning measurement

Instantly and automatically
creates a measurement
program



- Coordinate Measuring Machines
- Vision Measuring Systems
- Form Measurement
- Optical Measuring
- Sensor Systems
- Test Equipment and Seismometers
- Digital Scale and DRO Systems
- Small Tool Instruments and Data Management



Find additional product literature and our
product catalogue

www2.mitutoyo.de/en/mitutoyo-hn/downloads/index.html

Note: Product illustrations are without obligation. Product descriptions, in particular any and all technical specifications, are only binding when explicitly agreed upon.

MITUTOYO, MCOSMOS and MICAT are either registered trademarks or trademarks of Mitutoyo Corp. in Japan and/or other countries/regions.

Other product, company and brand names mentioned herein are for identification purposes only and may be the trademarks of their respective holders.

Mitutoyo

Mitutoyo Europe GmbH

Borsigstraße 8-10
41469 Neuss Germany

Tel. +49 (0) 2137-102-0
Fax +49 (0) 2137-102-351

info@mitutoyo.eu
www.mitutoyo.eu